

Technical Product Information

Motorized Actuator

Article no. 12503



Scope of application

Motorized thermoelectric actuators in normally-closed mode (NC). The actuators open and close the valves in the WEM Heating Manifold. They are activated by the WEM Room Thermostats and provide for individual temperature control in line with requirements.

Benefits

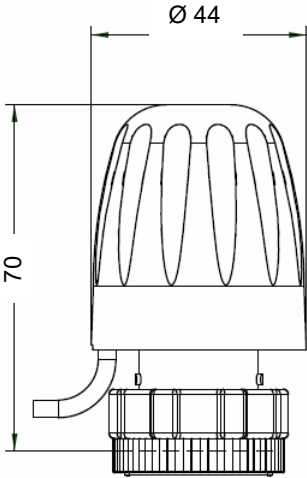
- Precise-fitting bayonet connector for easy assembly
- Suitable for overhead installation (360°)
- Fully encapsulated electrical components
- Moulded seal protects the motor in case of leaking valves
- Valve position is visible
- Noiseless and maintenance-free
- Long service life due to a stroke length of 4 mm minimum
- Suitable for use with WEM Room Thermostats and Heating Manifolds

Functioning If the indoor temperature falls below the desired temperature, the thermostat transmits a signal to the motorized actuator. Inside the actuator, an electrical resistor heats the expansion element, which transmits a stroke motion to the valve. The operation of the controller and the actuator is based on the "OPEN/CLOSE" principle. In idle condition, the valve is closed.

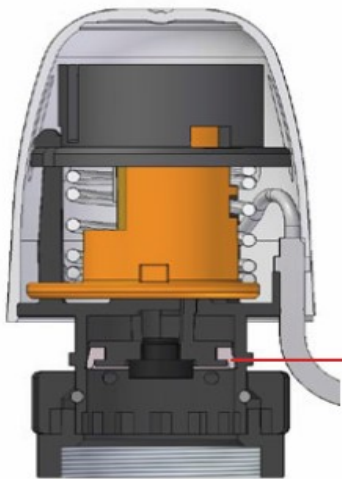
**Technical data/
materials**

Material of enclosure and built-in components:	heat-fast and impact-resistant plastic material
Material of spring:	stainless steel
Material of cable:	silicone
Mode (NC):	normally closed
Rated voltage (d.c. or a.c.)	24 V or 230 V
Operating power:	1.8 W
Permissible voltage deviation:	± 1 %
Incrush current:	24 V: 0.2 A for 1 min. max. 230 V: 0.6 A for 100 ms max.
Recommended fuse protection:	0.35 A slow, as per DIN 41662
Permanent power (approx. 3 min.):	4 W
Opening time:	approx. 3 min.
Closing time:	approx. 9 min.
Nominal stroke:	4 mm
Nominal closing force:	90 N
Ambient temperature:	0 to 50 °C
Cable length:	1 m
Connecting cable:	2 x 0.75 mm ² , PVC
VDE-tested and CE compliant	
Protection:	Drive IP44/ Electrical components IP65
Protection class II	

Dimensions:

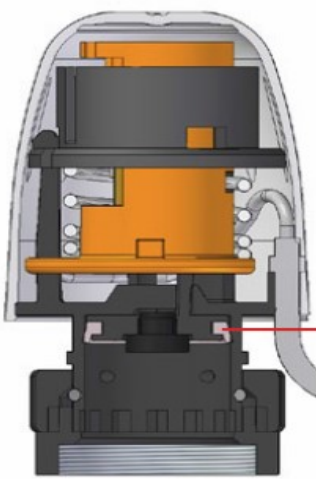


Valve closed (idle)



Splash-water protected due to mould seal

Valve open (live)



Splash-water protected due to mould seal

Bayonet connector

Bayonet connector with four large interlocking faces between the bayonet sleeve and the bayonet nut.

- 1 Bayonet sleeve
- 2 Bayonet nut
- 3 Large contact surface
- 4 Turn until click sound is heard

